

Kaadas



RX-D
Lever Lock



Bluetooth

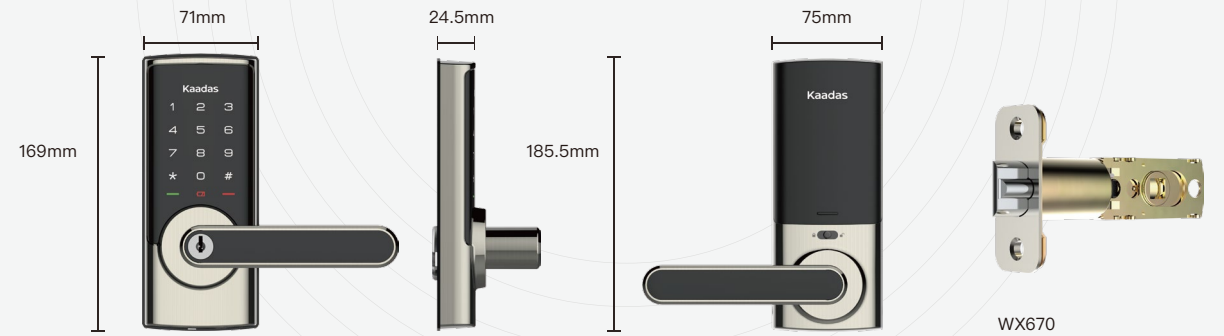


PIN code



Mechanical Key

Kaadas



Security Functions

Fake PIN Code | Lockout Mode |
One-Time PIN Code | Passage Mode

Alarming/Indication

Low Voltage | Wrong-Entry Alarming



Product Specification

Main Material	Aluminum Alloy + Zinc Alloy	Keypad Type	Touchpad
Bolt Type	Latchbolt	Code Length	4-10
Handle	Yes	Code Quantity	21
Voice Guide	Yes	Working Voltage	DC 6V
Auto Locking	No	Battery	4 AA Alkaline Batteries
Handing	Universal	Working Temperature (°C)	-20-60
Emergency Cylinder	Yes	Emergency Power	5V Micro USB
Fingerprint Sensor	No	RH (%)	20-90
Fingerprint Quantity	NA	IoT Connection	Optional
Card Type	NA	Door Category	Wood
Card Quantity	NA	Door Thickness (mm)	35-50